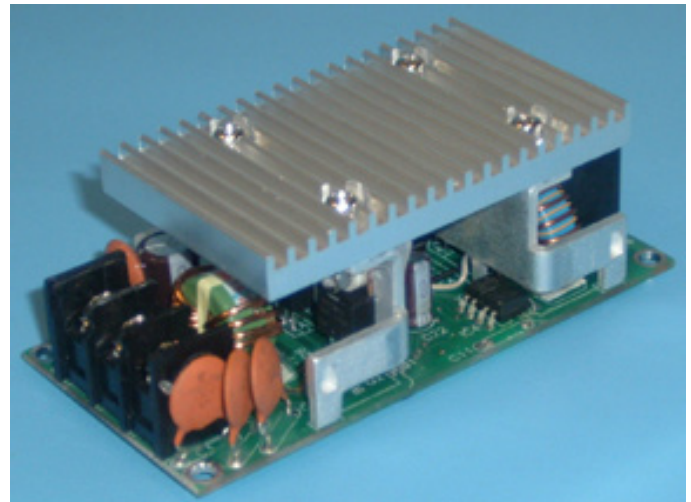


Model: BPD-50-126

Total Power	50 Watts
Input Voltages	18-45 VDC
Outputs	Single



SPECIAL FEATURES

- 18-45 VDC Input
- Under Voltage Lockout
- Reverse Voltage Protection
- RoHS compliant – LF designation on power supply label indicates RoHS compliance
- CE compliant
- Low profile height

ENVIRONMENTAL SPECIFICATIONS

Humidity: Up to 95% non-condensing

Storage Temperature: -40° to +85°C

Temperature coefficient: ±0.01% / °C

Ambient Operating Temperature: -40 to +85°C

Cooling: Convection cooling

VOLTAGE/CURRENT RATING CHART

Voltage	Minimum	Maximum
+12.6V	0A	4A

ELECTRICAL SPECIFICATIONS

Input Specifications

Input Range.....18-45 VDC

EMI filter..... EN55022 Class B, FCC Part 15

Inrush Current.....<1.5 X Input current

Input Current..... 3.5A @ 18V

Isolation.....2828 VDC (Input to Output)

Efficiency.....80% typical

Under Voltage Lockout.....Power supply will shut down when the input voltage drops to below 17.5V.

Reverse Voltage Protection.....The power supply is protected against damage should a reverse voltage be applied to the input.

Output Specifications

DC Output.....Maximum continuous output power 50 Watts convection cooled

Line Regulation.....±0.5%

300-1 Route 17 South Suite B2
 Lodi, NJ 07644
 Phone: (973) 594-1800 Fax: (973) 594-1804
salesteam@blutekpower.com

Model: BPD-50-126

ELECTRICAL SPECIFICATIONS (CONT')

Output Specifications

Load Regulation.....±1%

Ripple and Noise.....1% Pk to Pk

Transient Response..... 2% Maximum deviation;
returns to initial condition in 1 msec max.

Long Term Stability..... 0.01% after 20 minute
warm-up.

OVP.....115% to 135%

Short Circuit Protection..... Will withstand a
continuous short without damage. Will automatically
return to regulation upon removal of short.

Overload Protection.....The overload protection
feature will reduce the output voltages to a safe
dissipation level when the output power rating exceeds
125% of maximum rated power. The unit will
automatically return to regulation upon removal of the
overload.

No Load Operation.....No damage to supply
when operating at no load.

OVERALL MECHANICAL DIMENSIONS

4"L x 2"W x 1.39"H
(101.6mm X 50.8mm X 35.4mm)

PIN ASSIGNMENTS

(See attached In/Output Rating and Pin Assignment Sheet)

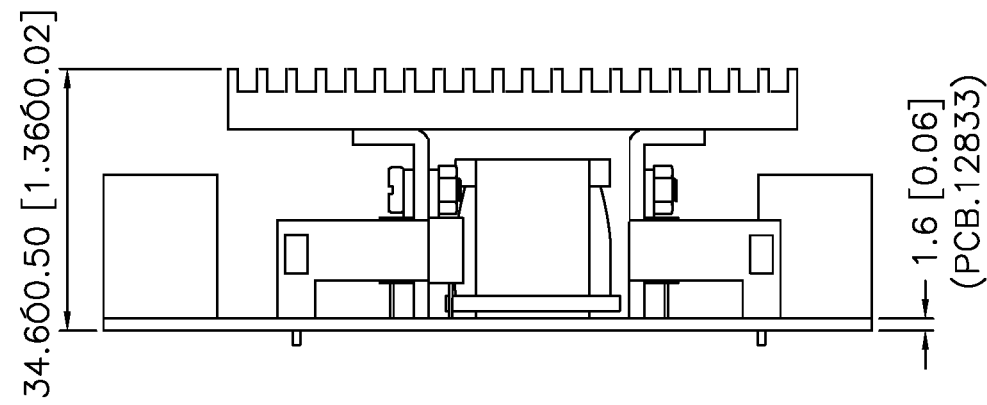
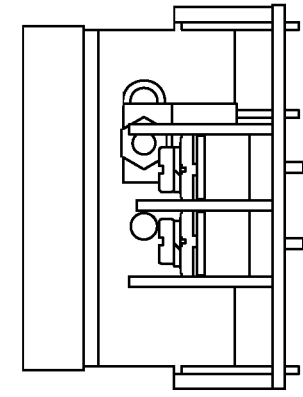
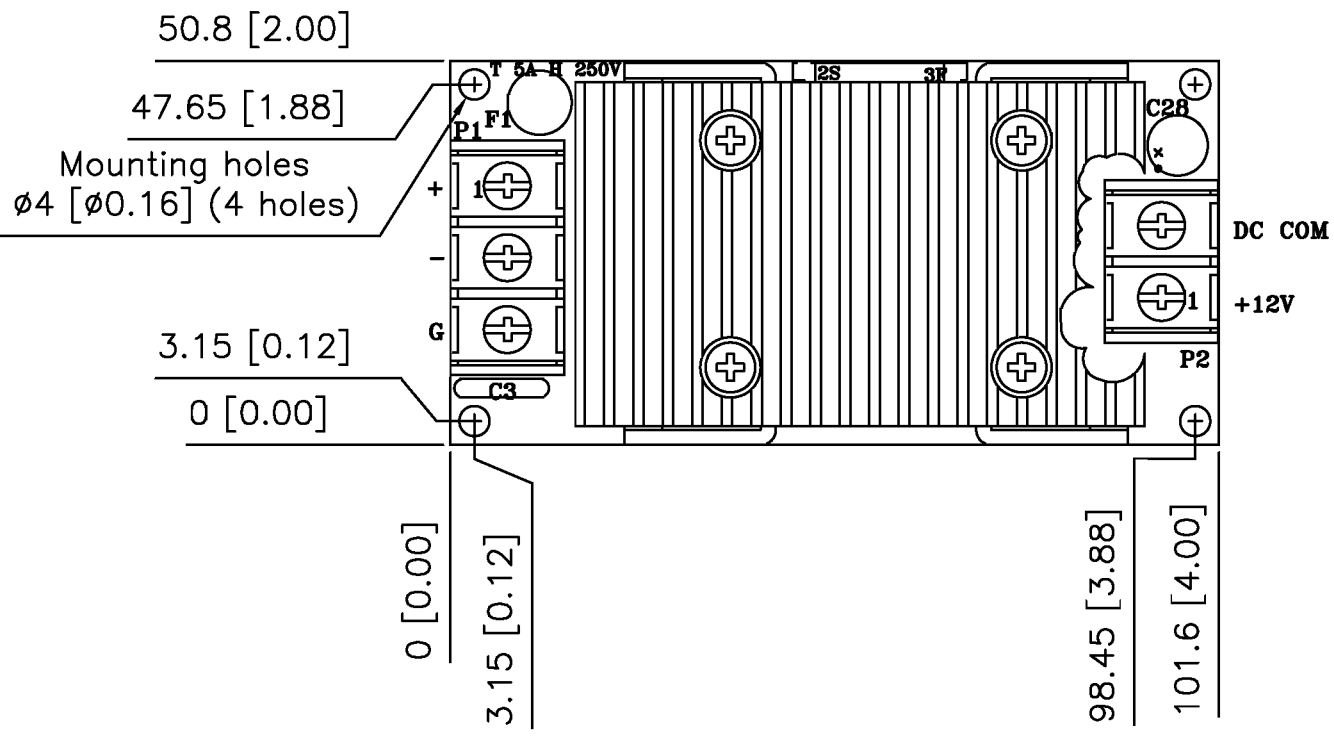
CONNECTORS

Terminal Block connectors for input and output

NOTES

- Specifications subject to change without notice.
- All dimensions in inches/mm
- Warranty: 1 year
- Weight: 0.5 lbs.

300-1 Route 17 South Suite B2
Lodi, NJ 07644
Phone: (973) 594-1800 Fax: (973) 594-1804
salesteam@blutekpower.com



<i>BluTek Power</i>			
TITLE		OUTLINE DRAWING	
DRAWN	H. L. LIN	DRG. NO.	BLU-175
CHECKED		MODEL NO.	BPD-50-126

UNIT	mm[inches]	REV. NO.	A	SCALE	1 : 1	MAT'L	t=
THIRD	ϕ	∇		TOL.	± 0.2	DATE	02. 23. 2006



IN/OUTPUT RATING & PIN ASSIGNMENT

SIZE : A4	FM-4000-34/REV.A-080502'
UNIT : mm[inches]	FILENAME: PPSC0420
REV. NO.: A	DATE : 02. 23. 2006
DRAWN: ? ? ? H. L. LIN	CHECKED:

MODEL NO. : BPD-50-126

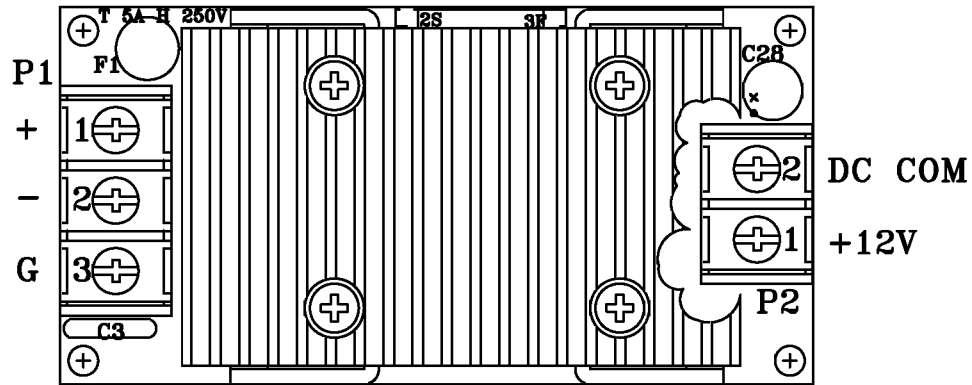
INPUTS :

ASSIGNMENT	D.C. VOLTAGE	CURRENT	PIN NBR
+: -----	18-44 V		P1-1
-: -----			P1-2
GND: -----			P1-3

OUTPUTS :

ASSIGNMENT	D.C. VOLTAGE	CURRENT	PIN NBR
VO1: -----	+12V	5A	P2-1
DC COM: -----			P2-2

MAXIMUM OUTPUT POWER: 50W



PCB. 12833