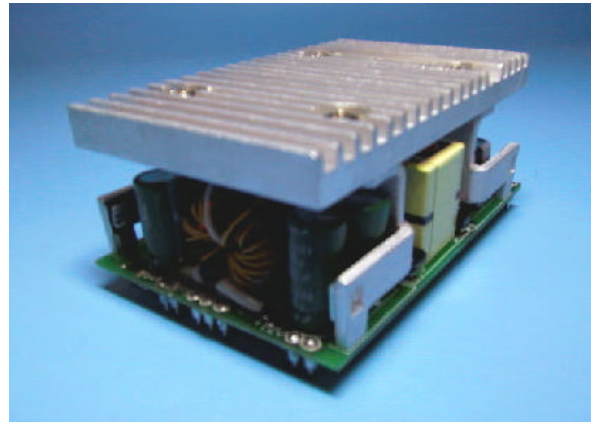


**Model: BPD-85-234**

Total Power	85 Watts
Input Voltages	9-36 VDC
Outputs	Dual



**SPECIAL FEATURES**

- 9-36 VDC Input
- Under Voltage Lockout
- Reverse Voltage Protection
- Inhibit
- CE compliant
- Low profile height

**ENVIRONMENTAL SPECIFICATIONS**

Humidity: Up to 95% non-condensing

Storage Temperature: -20° to +85°C

Temperature coefficient: ±0.01% / °C

Ambient Operating Temperature: 0 to +50°C continuous duty, full rating. Derate linearly to 50% of full rating at +71°C.

Cooling: Convection cooling

**VOLTAGE/CURRENT RATING CHART**

Voltage	Minimum	Maximum
+5V	1A	5A
+12V	0A	5A

**ELECTRICAL SPECIFICATIONS**

**Input Specifications**

Input Range.....9-36 VDC

EMI filter.....EN55022 Class B, FCC Part 15

Inrush Current.....<1.5 X Input current

Input Current.....13.5A @ 9VDC

Isolation.....2828 VDC (Input to Output)

Efficiency.....75% typical

Under Voltage Lockout.....Power supply will shut down when the input voltage drops to between 8.5 – 8.9V.

Reverse Voltage Protection.....The power supply is protected against damage should a reverse voltage be applied to the input.

**Output Specifications**

DC Output.....Maximum continuous output power 85 Watts convection cooled

Line Regulation.....±0.5%

300-1 Route 17 South Suite B2  
 Lodi, NJ 07644  
 Phone: (973) 594-1800 Fax: (973) 594-1804  
[salesteam@blutekpower.com](mailto:salesteam@blutekpower.com)

## **Model: BPD-85-234**

### **ELECTRICAL SPECIFICATIONS (CONT')**

#### **Output Specifications**

Load Regulation.....±2% on 5V output and  
±5% on 12V output

Ripple and Noise.....1% Pk to Pk

Transient Response.....2% Maximum deviation;  
returns to initial condition in 1 msec max.

Long Term Stability..... 0.01% after 20 minute  
warm-up.

OVP.....115% to 135% on both  
outputs

Short Circuit Protection..... Will withstand a  
continuous short without damage. Will automatically  
return to regulation upon removal of short.

Overload Protection.....The overload protection  
feature will reduce all output voltages to a safe  
dissipation level when the output power rating exceeds  
125% of maximum rated power. The unit will  
automatically return to regulation upon removal of the  
overload.

No Load Operation.....No damage to supply  
when operating at no load.

Remote On/Off..... A TTL low signal to Pin  
5 will turn on the power supply.

### **OVERALL MECHANICAL DIMENSIONS**

3"L x 2"W x 1.39"H  
(76.2mm X 50.8mm X 35.4mm)

### **PIN ASSIGNMENTS**

See attached drawing

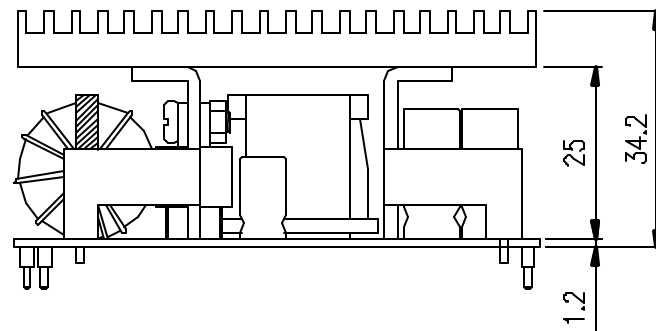
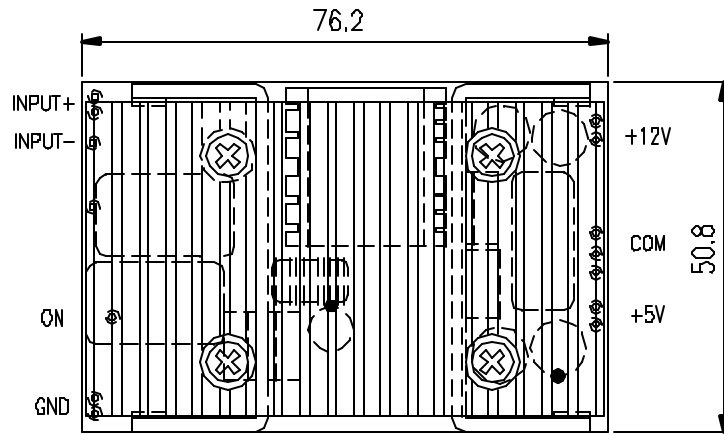
### **CONNECTOR**

See attached drawing

### **NOTES**

- Specifications subject to change without notice.
- All dimensions in inches/mm
- Warranty: 1 year
- Weight: 8 ounces (227 grams)

300-1 Route 17 South Suite B2  
Lodi, NJ 07644  
Phone: (973) 594-1800 Fax: (973) 594-1804  
[salesteam@blutekpower.com](mailto:salesteam@blutekpower.com)



<i>BluTek Power</i>			
TITLE			
OUTLINE DRAWING			
DRAWN	L. J. HUN	DRG. NO.	BLU-037
CHECKED		MODEL NO.	BPD-85-284

UNIT	mm[inches]	REV. NO.	A	SCALE	1 : 1	MAT'L	t=
THIRD				TOL.	± 0.2	DATE	12. 22. 2004



## IN/OUTPUT RATING & PIN ASSIGNMENT

SIZE : A4	FM-4000-34/REV.A-080502'
UNIT : mm[inches]	FILENAME: PPSC0349
REV. NO.: A	DATE : 08. 25. 2003
DRAWN: 洪麗珍 L. J. Hun	CHECKED:

MODEL NO. : BPD-85-234

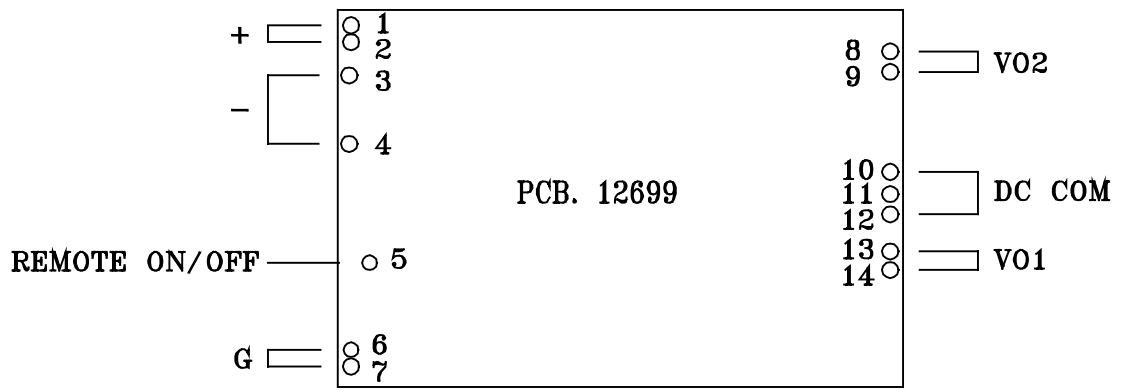
INPUTS :

ASSIGNMENT	D.C. VOLTAGE	CURRENT	PIN NBR
+ :	9-36V===	12.5-3.3A	1, 2
- :			3, 4
REMOTE ON/OFF:			5
GND:			6, 7

OUTPUTS :

ASSIGNMENT	D.C. VOLTAGE	CURRENT	PIN NBR
V01:	+5V ===	5A	13, 14
V02:	+12V ===	5A	8, 9
DC COM:			10,11,12

MAXIMUM OUTPUT POWER: 85W



TOP VIEW