

Models: BPA-100L-480T



Total Power	100 Watts
Input Voltages	90-264 VAC
Outputs	Single

SPECIAL FEATURES

- 90+ Efficiency
- Active Power Factor Correction
- Isolated Output
- Wide Range Input
- Power OK
- Low profile height
- RoHS compliant
- Custom modifications available

ENVIRONMENTAL SPECIFICATIONS

Humidity: Up to 95% non-condensing

Storage Temperature: -40° to +85°C

Temperature coefficient: ±0.01% / °C

Ambient Operating Temperature: -40° to +85°C continuous duty, full rating.

Cooling: 100W conducted Cooling

SAFETY APPROVALS, to be applied

UL 60950-1 Second Edition
 CUL 60950-1 Second Edition
 DEMKO EN60950-1 Second Edition

- 100 Watts
- 90+ Efficiency
- High Density – Slim Profile
- Power Factor and Harmonic Current Correction

ELECTRICAL SPECIFICATIONS

Input Specifications

Input Range.....90-264 VAC
 Frequency.....47-63 Hz
 EMI filter..... EN55022 Class B, FCC Part 15
 Inrush Current..... <32A @ 230 VAC
 Input Current..... 2.9A – 1.2A
 Isolation (Input to Output)..... 4242 VDC
 Isolation (VO1 to Gnd)..... 4242 VDC
 Efficiency.....92%
 Active PFC..... 0.99
 Switching Frequency.....Variable
 Leakage..... <1uA

Output Specifications

DC Output..... Maximum continuous output power 100 Watts conducted cooling.

Line Regulation..... ±0.5%

Load Regulation..... ±1%

Ripple and Noise.....1% Pk to Pk

Transient Response..... 2% Maximum deviation; returns to initial condition in 1 msec max.

300-1 Route 17 South Suite B2
 Lodi, NJ 07644
 Phone: (973) 594-1800 Fax: (973) 594-1804
salesteam@blutekpower.com

Models: BPA-100L-480T

ELECTRICAL SPECIFICATIONS (CONT')

Output Specifications

Long Term Stability.....0.01% after 20 minute warm-up.

Hold-Up Time.....Total 30msec minimum. 15msec from POK fail to output.

OVP.....Set at 115% to 125%. Latching method. AC must be recycled to restart the unit.

Short-circuit Protection.....The units will withstand a continuous short without damage. It will automatically return to regulation upon removal of the short.

Overload Protection.....The overload protection feature will reduce the output voltage to a safe dissipation level when the output power rating exceeds 125% of maximum rated power. The unit will automatically return to regulation upon removal of the overload.

Power Okay..... A TTL high logic signal will be provided on a TBD pin when the input and output voltages are within normal operating conditions.

OVERALL MECHANICAL DIMENSIONS

U-Bracket Construction
4" W x 6.69" L x 0.87" H
(101.6mm W x 170.0mm L x 22.0mm H)

PIN ASSIGNMENTS

See Drawing Attached

CONNECTOR

Input..... Dinkle Terminal Block

Output..... Dinkle Terminal Block

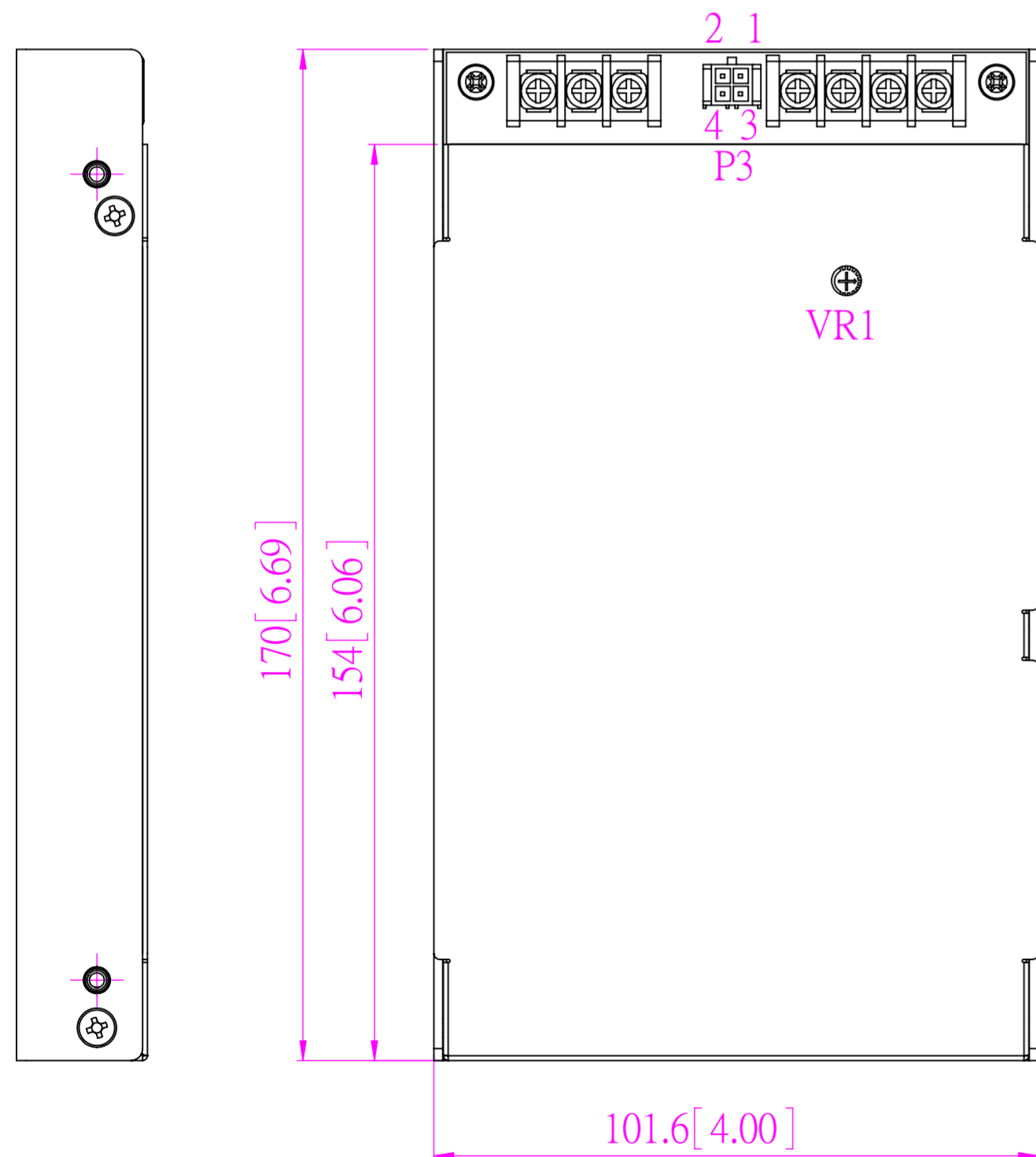
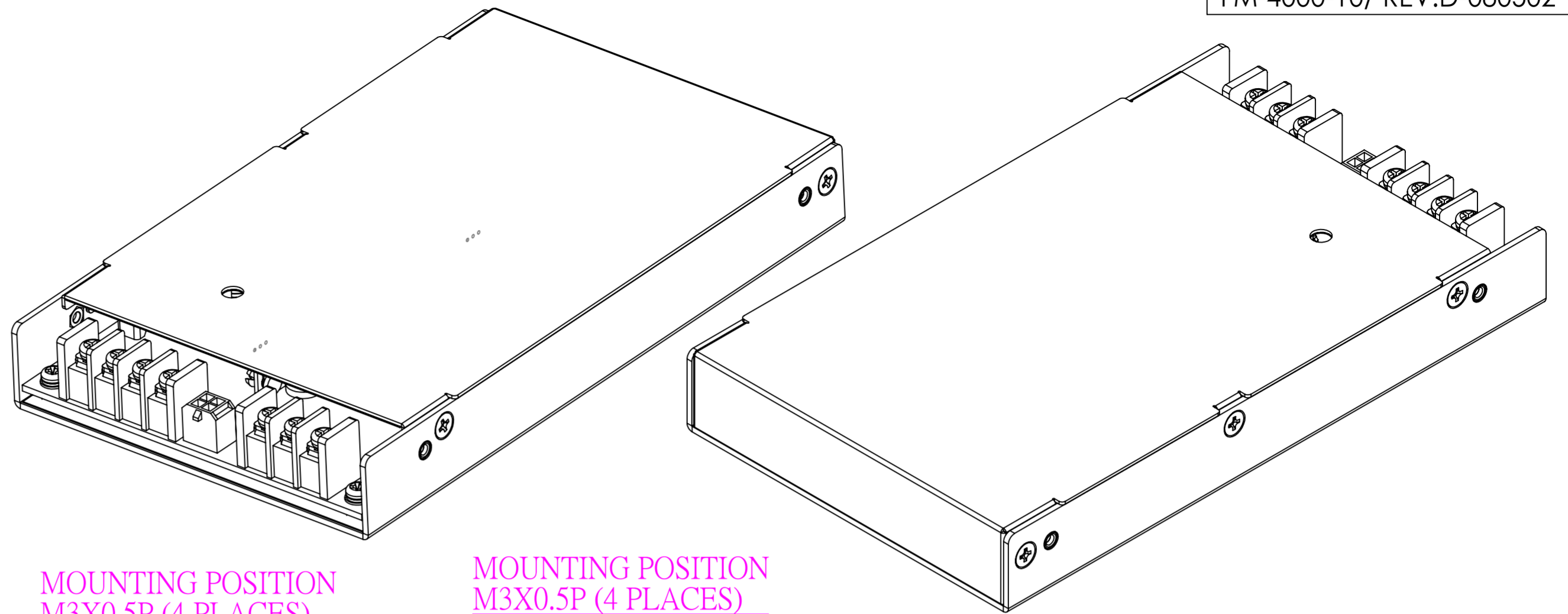
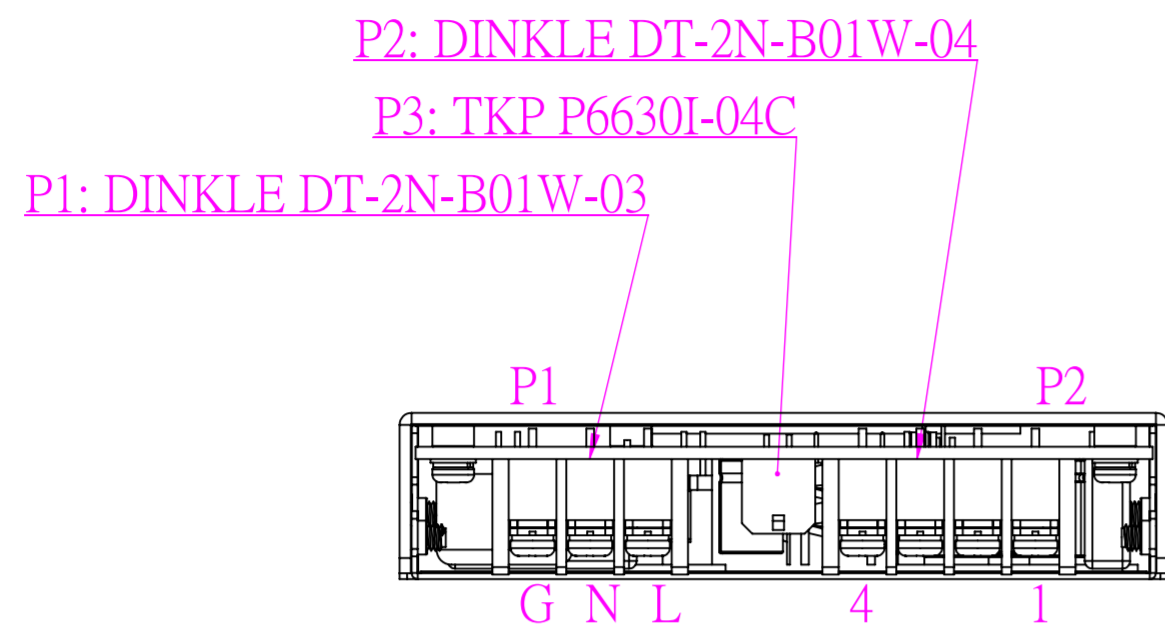
NOTES

- Specifications subject to change without notice.
- All dimensions in inches/mm
- Warranty: 2 years
- Weight: TBD

VOLTAGE/CURRENT RATING CHART

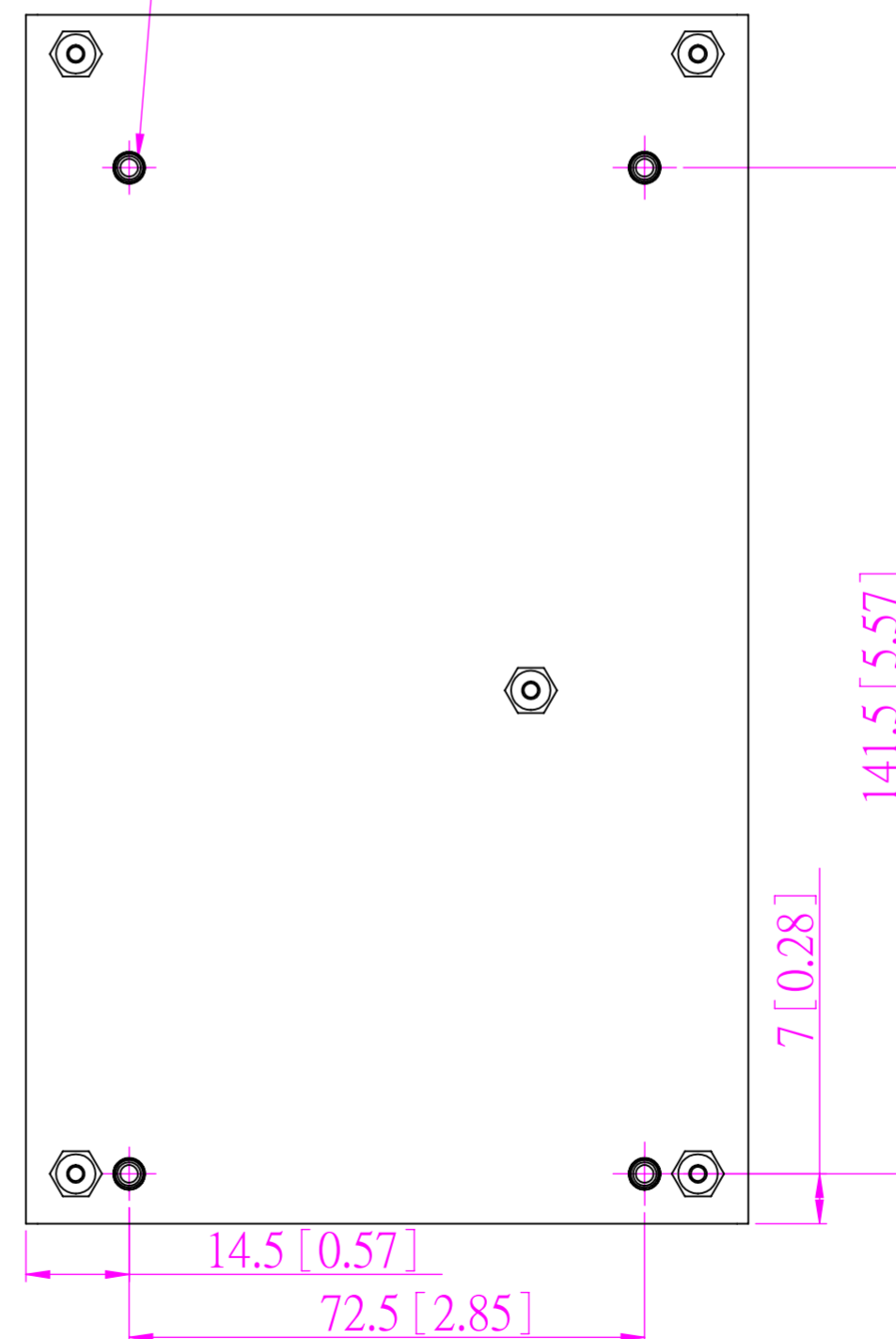
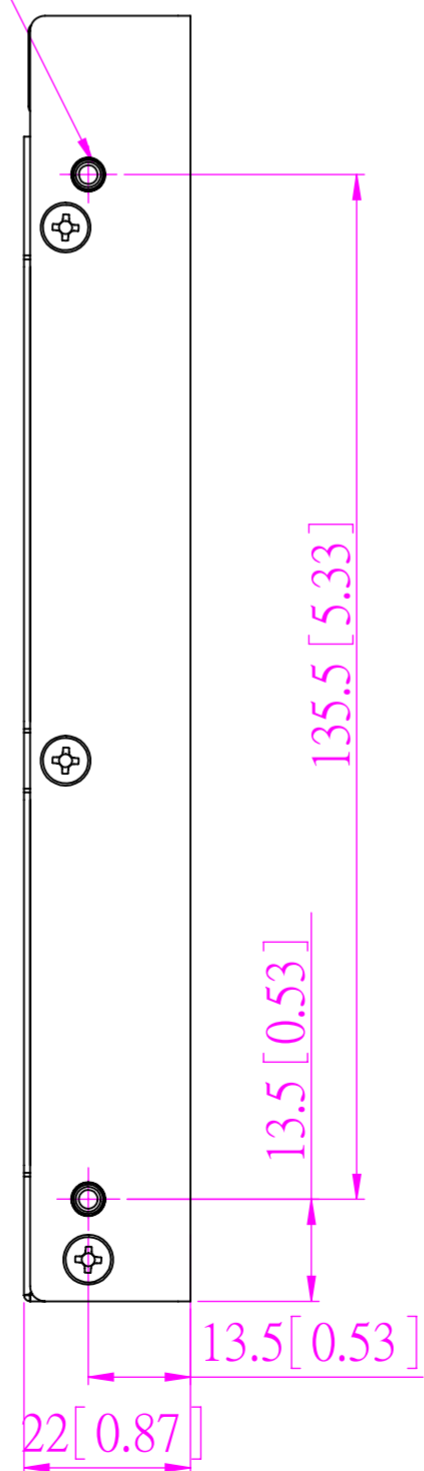
Part Number	Voltage	Minimum	Maximum
BPA-100L-480	48V	0A	2.08A

300-1 Route 17 South Suite B2
Lodi, NJ 07644
Phone: (973) 594-1800 Fax: (973) 594-1804
salesteam@blutekpower.com



MOUNTING POSITION
 M3X0.5P (4 PLACES)

MOUNTING POSITION
 M3X0.5P (4 PLACES)



BluTek Power

TITLE		OUTLINE DRAWING			
DRAWN	C. M. WU	DRG. NO.	BLU-584		
CHECKED		MODEL NO.	BPA-100L-480T		

UNIT	mm[inches]	REV. NO.	1	SCALE	0.48 : 1	MAT'L	†=
THIRD		SIZE	A2	TOL.	± 0.5	DATE	06.07.2012



MODEL NO. : BPA-100L-480T

INPUTS :

ASSIGNMENT	A.C. VOLTAGE	CURRENT	PIN NBR
L :	100-240V~		P1-L
N :			P1-N
GND :		50-60Hz	P1-G

OUTPUTS :

ASSIGNMENT	D.C. VOLTAGE	CURRENT	PIN NBR
V01:	+48V ---	2.08A	P2-3,4
DC COM:			P2-1,2
INHIBIT			P3-3
P.OK			P3-1
5VSB			P3-4
NC			P3-2

MAXIMUM OUTPUT POWER: 100W

SIZE : A4	FM-4000-34/REV.A-080502'
UNIT : mm[inches]	FILENAME: PPSC0595
REV. NO.: A	DATE : 06. 08. 2012
DRAWN: 吳琪梅 C. M. WU	CHECKED:

