

Model: BPA-RS1100-120

Total Power	1100 Watts
Input Voltages	90-305VAC
Outputs	Single plus 12VSB



SPECIAL FEATURES

- Active Power Factor Correction
- Redundant operation
- Single wire current sharing
- Power Disable
- Power Good
- PS On
- I²C interface PMBus Compatible
- Variable fan speed control
- UL, CUL, and DEMKO *to be applied*
- CE compliant
- **Custom modifications available**

ENVIRONMENTAL SPECIFICATIONS

Humidity: Up to 95% non-condensing

Storage Temperature: -20° to +85°C

Temperature coefficient: ±0.01% /°C

Ambient Operating Temperature: 0 to +50°C continuous duty, full rating. Derate linearly to 50% of full rating at +71°C.

Cooling: Self contained fan cooling.

SAFETY APPROVALS, to be applied

UL	60950-1 Second Edition
CUL	60950-1 Second Edition
DEMKO	EN60950-1 Second Edition

ELECTRICAL SPECIFICATIONS

Input Specifications

Input Range.....	90 - 305VAC
Frequency.....	50-60 Hz
EMI filter.....	EN55022 Class A, FCC Part 15
Inrush Current.....	≤32A @ 230VAC
Input Current.....	13.5A – 4.6A
Isolation (Input to Output).....	4242 VDC
Efficiency.....	93%
Active PFC.....	0.99
Switching Frequency.....	82KHz.
Leakage.....	≤3.5mA

Output Specifications

DC Output..... Maximum continuous output power 1100 Watts with self-contained fan cooling..

Line Regulation..... ±0.2%

Load Regulation..... ±1% on both outputs

Ripple and Noise..... 1% Pk to Pk

Transient Response..... 2% Maximum deviation; returns to initial condition in 1 msec max.

Long Term Stability..... 0.01% after 20 minute warm-up.

Hold-Up Time..... 16msec minimum

OVP..... 115% to 135% on both outputs

Model: BPA-R1100-120

ELECTRICAL SPECIFICATIONS (CONT')

Output Specifications

Short-circuit Protection.....Constant current with delayed latching method on the primary output. The 12V standby utilizes the hiccup method.

Overload Protection.....Constant current with delayed latching method on the primary output. The 12V standby utilizes the hiccup method. The constant current method allows for a 5-second delay before the power supply shuts down if the output current rating exceeds 110% to 130% of maximum rated output current. The input must be recycled manually or may be digitally reset.

FET Isolation..... Internal FET isolation provided for N+1 redundant operation.

Current Sharing.....Outputs will current share within 5% when interconnected by a single wire.

PS On.....The secondary outputs are enabled only upon mating a shorter enable pin to output common on the customer's backplane.

DC OK.....A TTL low signal provides a warning prior to DC outputs dropping out of regulation.

Over Temperature ProtectionThe power supply will shut down if temperature is greater than 100°C (internal temperature). The power supply is self recovering once the internal temperature falls below 71°C.

AC OK..... A TTL high logic signal is provided when the input voltages are within normal operating conditions.

I²C Monitors temperature, output voltage, input voltage, input current, and output current; controls Fan speed, Fan LED. PMBUS software allows monitoring of overall operation of power supply.

OVERALL MECHANICAL DIMENSIONS

15" L x 2" W x 1.58" H
(381.0mm x 50.5mm x 40.2mm)

PIN ASSIGNMENTS

See attached Hook-Up Drawing

CONNECTOR

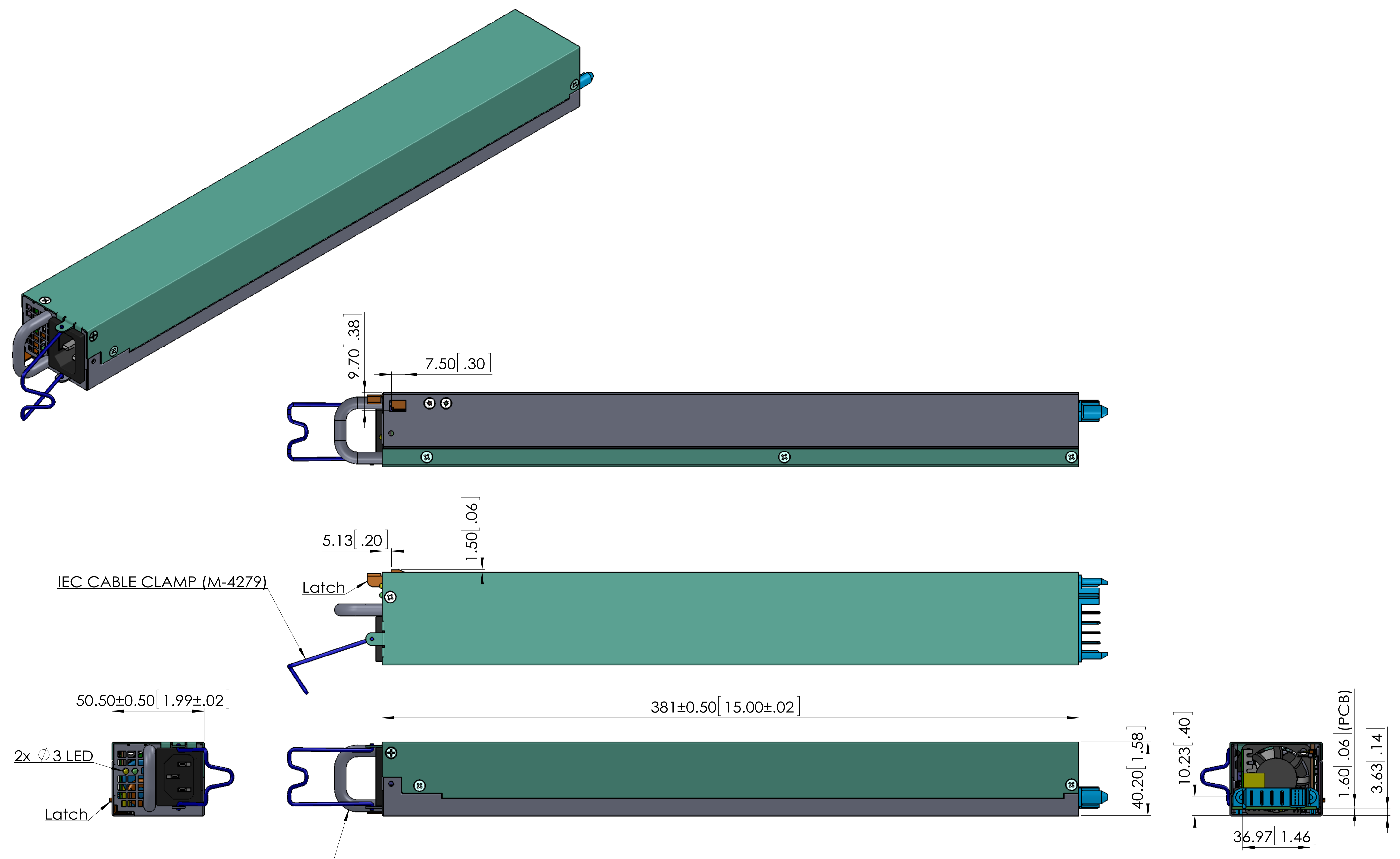
Input..... IEC 320
Output.....Molex 46437-1615

NOTES

- Specifications subject to change without notice.
- All dimensions in inches/mm
- Warranty: 2 years
- Weight: TBD

MODEL No. / OUTPUT VOLTAGE / CURRENT RATINGS CHART

Model No.	O/P Voltage (Vdc)	Minimum	Maximum
BPA-RS1100-120	12V	0A	91.6A
	12VSB	0A	2.0A



BluTek Power			
TITLE		OUTLINE DRAWING	
DRAWN	H. L. LIN	DRG. NO.	BLU-700
CHECKED		MODEL NO.	BPA-RS1100-120

UNIT	mm[inches]	REV. NO.	A	SCALE	0.34 : 1	MAT'L	CS TYPE B, G-40 t=0.8
THIRD		SIZE	A1	TOL.	± 0.2	DATE	12. 24. 2014



300-1 (B2) Route 17, Lock, NJ 07644

MODEL NO. : BPA-RS1100-120

IN/OUTPUT RATING & PIN ASSIGNMENT

SIZE : A4	FM-4000-34/REV.A-080502'
UNIT :mm[inches]	FILENAME: PPSC0620
REV. NO.: A	DATE : 12. 29. 2014
DRAWN: 林 惠 蘭 H. L. LIN	CHECKED:

INPUTS :

ASSIGNMENT	A.C. VOLTAGE	CURRENT	PIN NBR
L:	100-240V~		L
N:			N
G:		50-60Hz	G

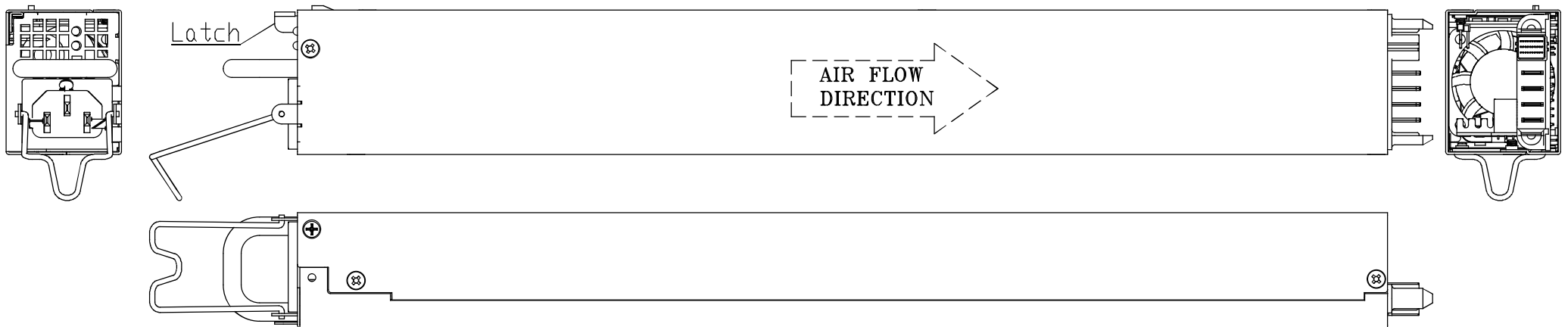
OUTPUTS :

ASSIGNMENT	D.C. VOLTAGE	CURRENT	PIN NBR
+12V	+12V ---	91.6 A	P1,P2
12V Return:			P3,P4
A2:			A1
DC_OK:			A2
SHARE:			A3
12VSB:	+12VSBV ---	2 A	B1
A0:			B2
-12VS:			B3
PS_ON:	(shorter pin)		C1
PS_present:	(shorter pin)		C2
+VS:	(shorter pin)		C3
AC_OK:			D1
A1:			D2
SDA_1:			D3
ALERT:			E1
COM:			E2
SCL_1			E3

MAXIMUM OUTPUT POWER: 1100W

P1	P2	P3	P4	1	2	3	
+12V	+12V	12V Return	12V Return	ALERT	COM	SCL_1	E
				AC_OK	A1	SDA_1	D
				PS_ON	PS_present	+VS	C
				12VSB	A0	-12VS	B
				A2	DC_OK	SHARE	A

C1 pin is shorter
C2 pin is shorter
C3 pin is shorter



O/P connector: Molex 46437-1615