

**Model: BPA-RT3201**

Total Power	3200 Watts
Input Voltages	180-523VAC Single Phase or 3 Phase Delta or Y Configurations
Outputs	Adjustable Single plus 12VSB



**SPECIAL FEATURES**

- Adjustable Output Voltage (4.5V – 13V)
- Active Power Factor Correction
- Redundant operation
- Single Phase or Three Phase Delta or Y Input
- Single wire current sharing
- Configurable for operation in series or parallel
- PS ON
- DC OK
- I<sup>2</sup>C interface PMBus Compatible
- Variable fan speed control
- UL, CUL, and DEMKO *Approval to be obtained*
- CE compliant
- **Custom modifications available**

**ENVIRONMENTAL SPECIFICATIONS**

Humidity: Up to 95% non-condensing

Storage Temperature: -20° to +85°C

Temperature coefficient: ±0.01% /°C

Ambient Operating Temperature: 0 to +50°C continuous duty, full rating. Derate linearly to 50% of full rating at +71°C.

Cooling: Self contained fan cooling.

**SAFETY APPROVALS, to be obtained**

UL 60950-1 Second Edition  
 CUL 60950-1 Second Edition  
 DEMKO EN60950-1 Second Edition

**ELECTRICAL SPECIFICATIONS**

**Input Specifications**

Input Range..... 180 - 523VAC Single or  
3 Phase

Frequency..... 47-63 Hz

EMI filter..... EN55022 Class A, FCC Part 15

Inrush Current..... ≤32A @ 480VAC

Input Current..... 19A @ 180VAC

Isolation (Input to Output)..... 4242 VDC

Efficiency..... 93%

Active PFC..... 0.99

Switching Frequency..... 82 KHz.

Leakage..... ≤3.5mA

**Output Specifications**

DC Output..... Maximum continuous output power 3200 Watts with self-contained fan cooling.

Line Regulation..... ±0.2%

Load Regulation..... ±1% on both outputs

Ripple and Noise..... 1% Pk to Pk

Transient Response..... 2% Maximum deviation; returns to initial condition in 1 msec max.

300-1 Route 17 South Suite B2  
 Lodi, NJ 07644  
 Phone: (973) 594-1800  
[salesteam@blutekpower.com](mailto:salesteam@blutekpower.com)

## Model: BPA-RT3201

### ELECTRICAL SPECIFICATIONS (CONT')

#### Output Specifications

Long Term Stability..... 0.01% after 20 minute warm-up.

Hold-Up Time..... 16msec minimum

OVP.....115% to 135% on both outputs

Short-circuit Protection.....Constant current with delayed latching method on the primary output. The 12V standby utilizes the hiccup method.

Overload Protection.....Constant current with delayed latching method on the primary output. The 12V standby utilizes the hiccup method. The constant current method allows for a 5-second delay before the power supply shuts down if the output current rating exceeds 110% to 130% of maximum rated output current. The input must be recycled manually or may be digitally reset.

FET Isolation..... Internal FET isolation provided for N+1 redundant operation.

Current Sharing.....Outputs will current share within 5% when interconnected by a single wire.

Voltage Adjustment..... A potentiometer located on the face plate allows voltage adjustment from 4.5V - 13V.

PS On.....The secondary outputs are enabled only upon mating a shorter enable pin to output common on the customer's backplane.

DC OK.....A TTL low signal provides a 4ms warning prior to DC outputs dropping out of regulation.

Fault..... A digital signal provides warning of output voltage below 90% of nominal, fan fault or over temperature.

Over Temperature Protection ....The power supply will shut down if temperature is greater than 115°C (internal temperature). The power supply is self recovering once the internal temperature falls below 71°C.

AC Okay..... A TTL high logic signal is provided when the input voltages are within normal operating conditions.

I<sup>2</sup>C/PMBUS (Optional).....Monitors temperature, output voltage, input voltage, input current, and output current; controls Fan speed, Fan LED and connects to a serial NVRAM which is programmed with serial number. PMBUS software allows monitoring of overall operation of power supply.

AC\_OK\_COM..... Allows all power supplies connected in series to turn on simultaneously.

DC\_OK\_COM.....Monitors all power supplies connected in series. All power supplies will turn off if any in the series shut down. AC must be reset to turn on.

### OVERALL MECHANICAL DIMENSIONS

11.5" L x 8.0" W x 1.58" H  
(292.1mm x 203.2mm x 40.2mm)

### PIN ASSIGNMENTS

See Attached Hook-Up Drawing

### CONNECTOR

Output..... Bus Bars  
Input ..... Dinkel DT-7N-B01W-05

### NOTES

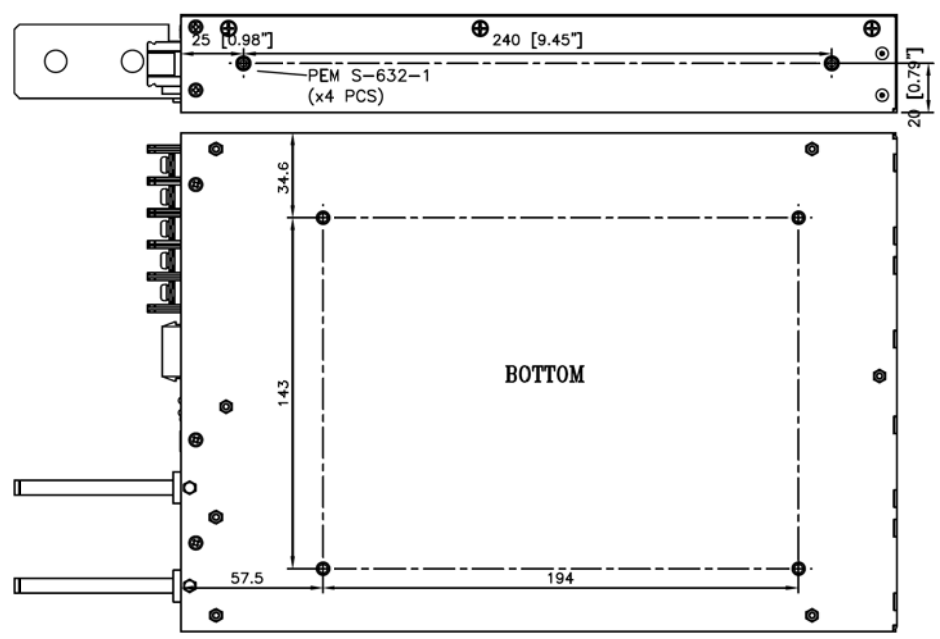
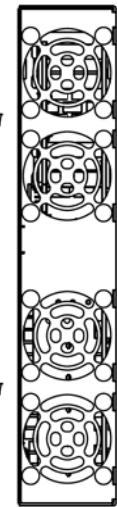
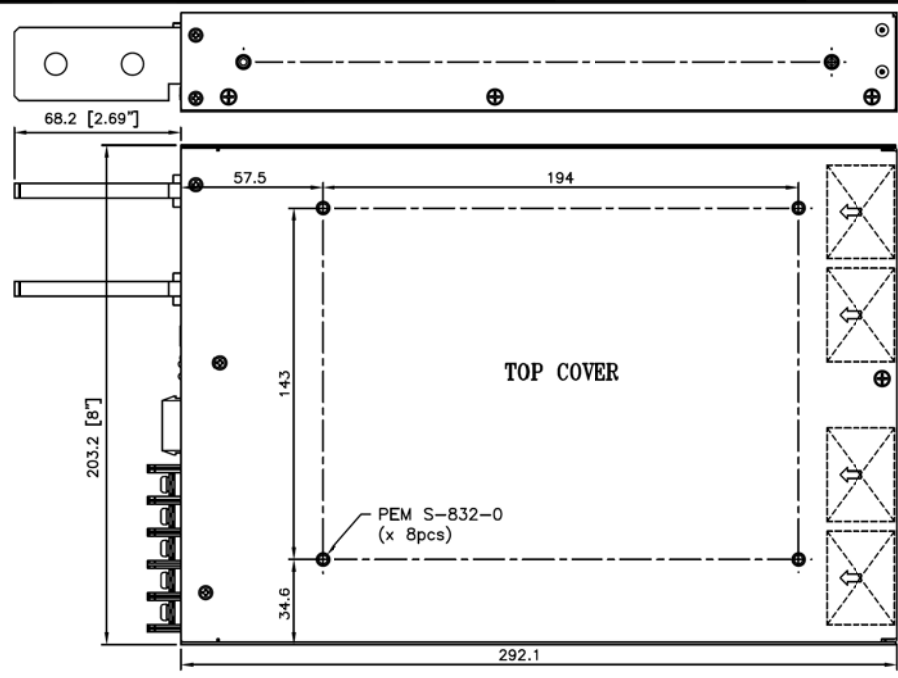
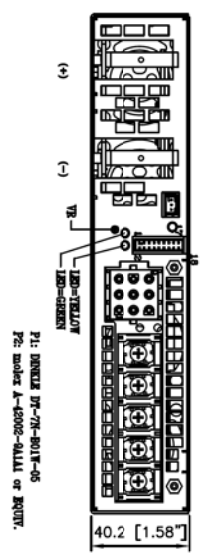
- Specifications subject to change without notice.
- All dimensions in inches/mm
- Warranty: 2 years
- Weight: Approx. 8.5lbs

### MODEL No. / OUTPUT VOLTAGE / CURRENT RATINGS CHART

Model No.	O/P Voltage (Vdc)	Minimum	Maximum
BPA-RT3201-120	4.5V-13V*	0A	266.0A
	12VSB	0A	2.0A

\* Voltage is adjustable, maximum amperage on any voltage is 266A up to 3200W

300-1 Route 17 South Suite B2  
Lodi, NJ 07644  
Phone: (973) 594-1800  
[salesteam@blutekpower.com](mailto:salesteam@blutekpower.com)

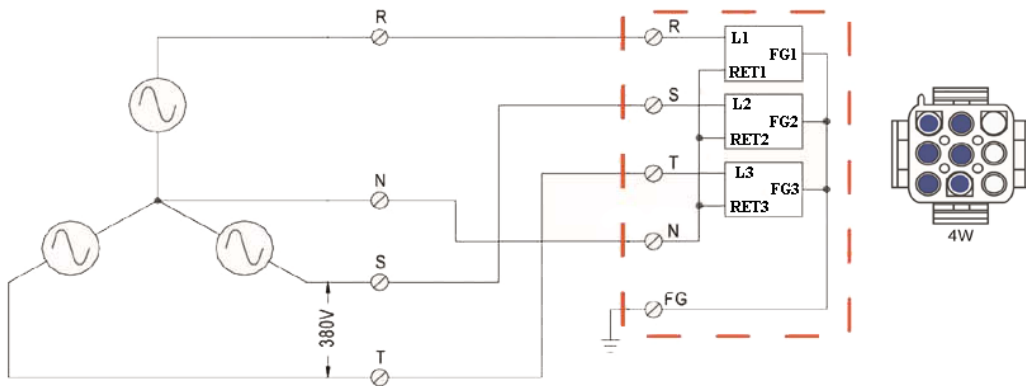


<i>BluTek Power</i>			
TITLE OUTLINE DRAWING			
DRAWN	L. J. HUN	DRG. NO.	BLU-586
CHECKED		MODEL NO.	BPA-RT3201

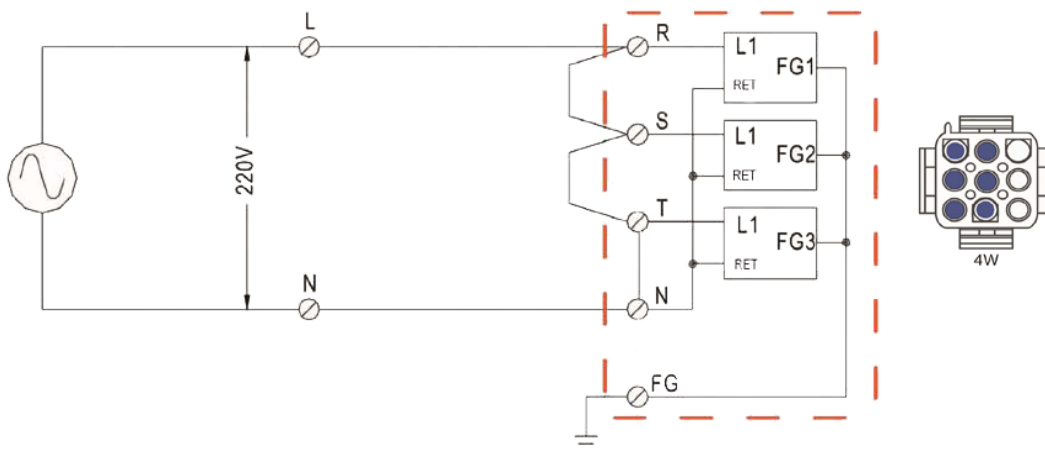
UNIT	mm[inches]	REV. NO.	E	SCALE	0.34 : 1	MAT'L	t=
THIRD				TOL.	± 0.2	DATE	01. 08. 2015



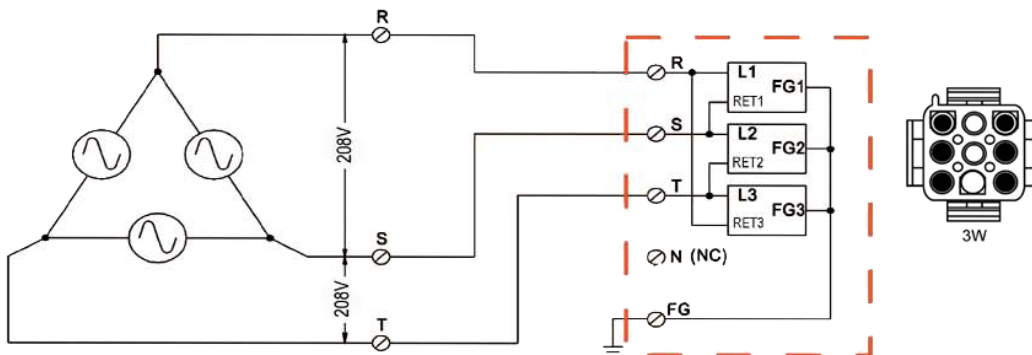
## INPUT CONFIGURATION HOOK-UPS



1. 200VAC - 480VAC Three Phase 4 Wire "4W" CONNECTOR ONLY

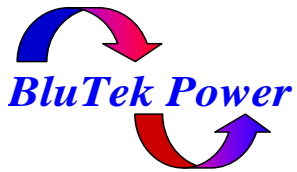


1. 200VAC - 480VAC Single Phase "4W" CONNECTOR ONLY



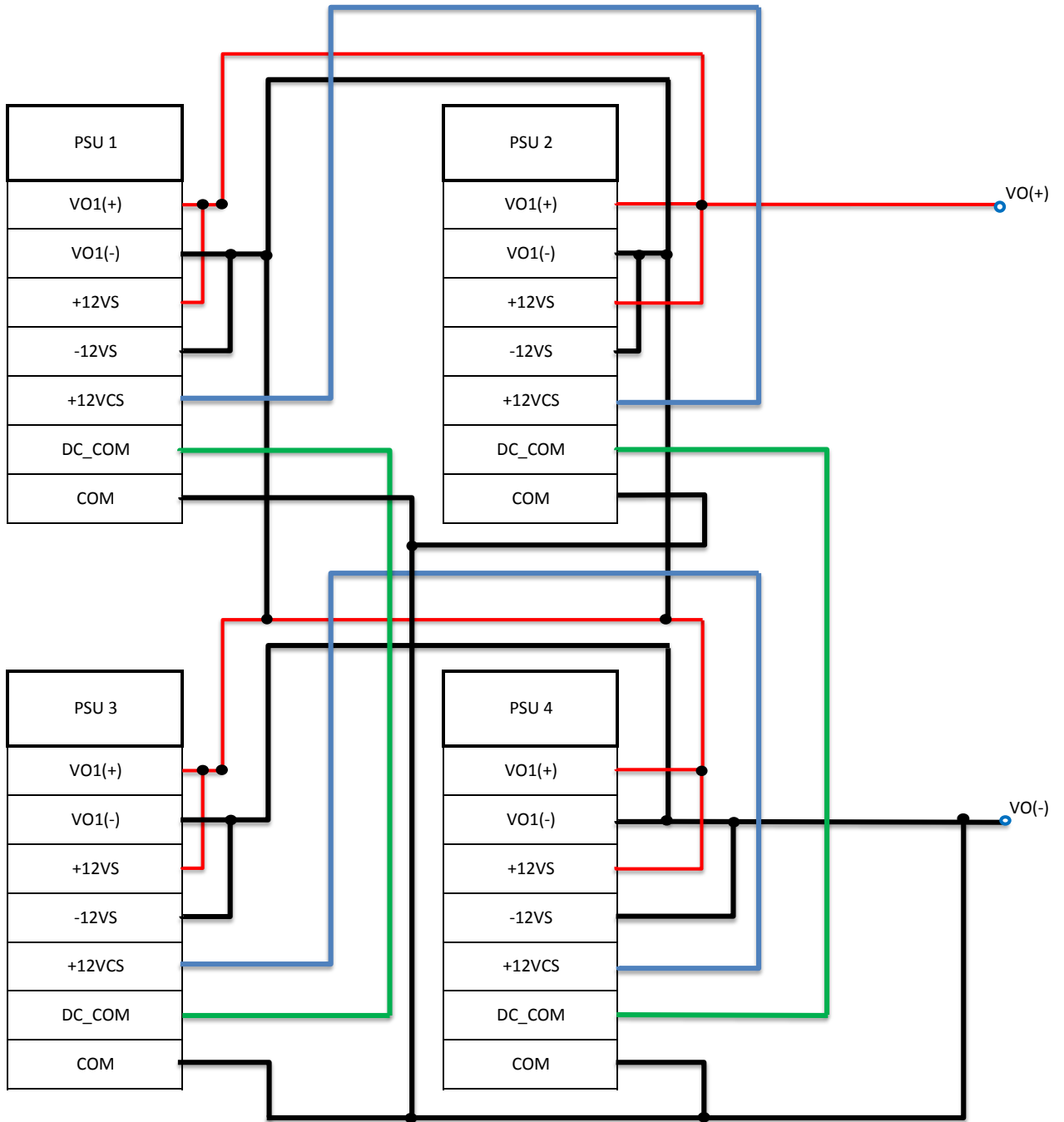
2. 200VAC - 480VAC Three Phase 3 Wire "3W" CONNECTOR ONLY





MODEL: BPA-RT3201

OUTPUT: Series and Parallel Configuration



Pins Not Used for this hook-up:

12VSB, AC\_COM, AC\_OK, DC\_OK, PS\_ON, A0, ALERT, A1, SCL\_1, A2, SDA\_1