

Models: BPN-61-XXX

Total Power	60 Watts
Input Voltages	90- 264 VAC
Outputs	Single



SPECIAL FEATURES

- Isolated Output
- Wide Range Input
- Low profile height fits 1U constraints
- RoHS compliant
- **Custom modifications available**

ENVIRONMENTAL SPECIFICATIONS

Humidity: Up to 95% non-condensing

Storage Temperature: -20° to +70°C

Temperature coefficient: ±0.01% / °C

Ambient Operating Temperature: -20° to +70°C continuous duty, full rating.

Cooling: 60W conducted Cooling

SAFETY APPROVALS, to be applied

UL 60950-1 Second Edition
 CUL 60950-1 Second Edition
 DEMKO EN60950-1 Second Edition

ELECTRICAL SPECIFICATIONS

Input Specifications

Input Range.....90-264 VAC
 Frequency..... 47-63 Hz
 EMI filter..... EN55022 Class B, FCC Part 15
 Inrush Current..... <32A @ 230 VAC
 Input Current..... 0.8A - 0.3A
 Isolation..... 4242 VDC (Input to Output)
 Efficiency..... 89%
 Switching Frequency.....90 KHz.

Output Specifications

DC Output.....Maximum continuous output power 60W

Line Regulation.....+/-0.3%

Load Regulation.....+/-1%

Ripple and Noise.....1% Pk to Pk

Transient Response..... 2% Maximum deviation; returns to initial condition in 1ms max..

300-1 Route 17 South Suite B2
 Lodi, NJ 07644
 Phone: (973) 594-1800 Fax: (973) 594-1804
salesteam@blutekpower.com

Model: BPN-61-XXX

ELECTRICAL SPECIFICATIONS (CONT')

Output Specifications

Long Term Stability.....0.01% after 20 minute warm-up.

Hold-Up Time.....6msec @ 115 VAC

OVP..... 115% to 135%. AC must be recycled to restart the unit.

Short-circuit Protection..... The units will withstand a continuous short without damage. It will automatically return to regulation upon removal of the short.

Overload Protection..... The overload protection feature will reduce all output voltages to a safe dissipation level when the output power rating exceeds 125% of maximum rated power. The unit will automatically return to regulation upon removal of the overload.

OVERALL MECHANICAL DIMENSIONS

4.5”L x 2.5”W x 1.04”H
(114.3mm L X 63.5mm W x 26.5mm H)

CONNECTOR

AC input - Molex P/N 09-65-2038

Output – Molex P/N09-65-2068

Ground – Spade connector 0.25

PIN ASSIGNMENTS

See attached Drawing

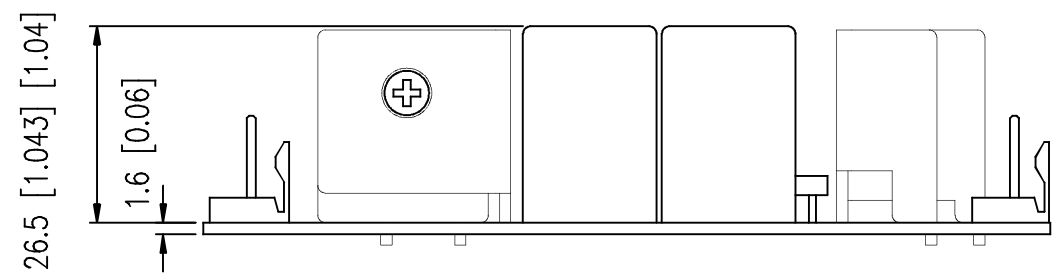
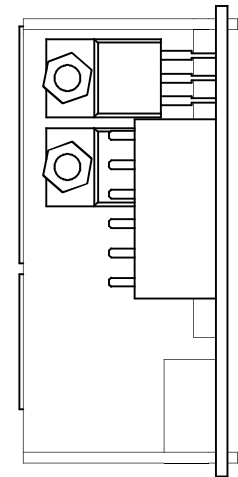
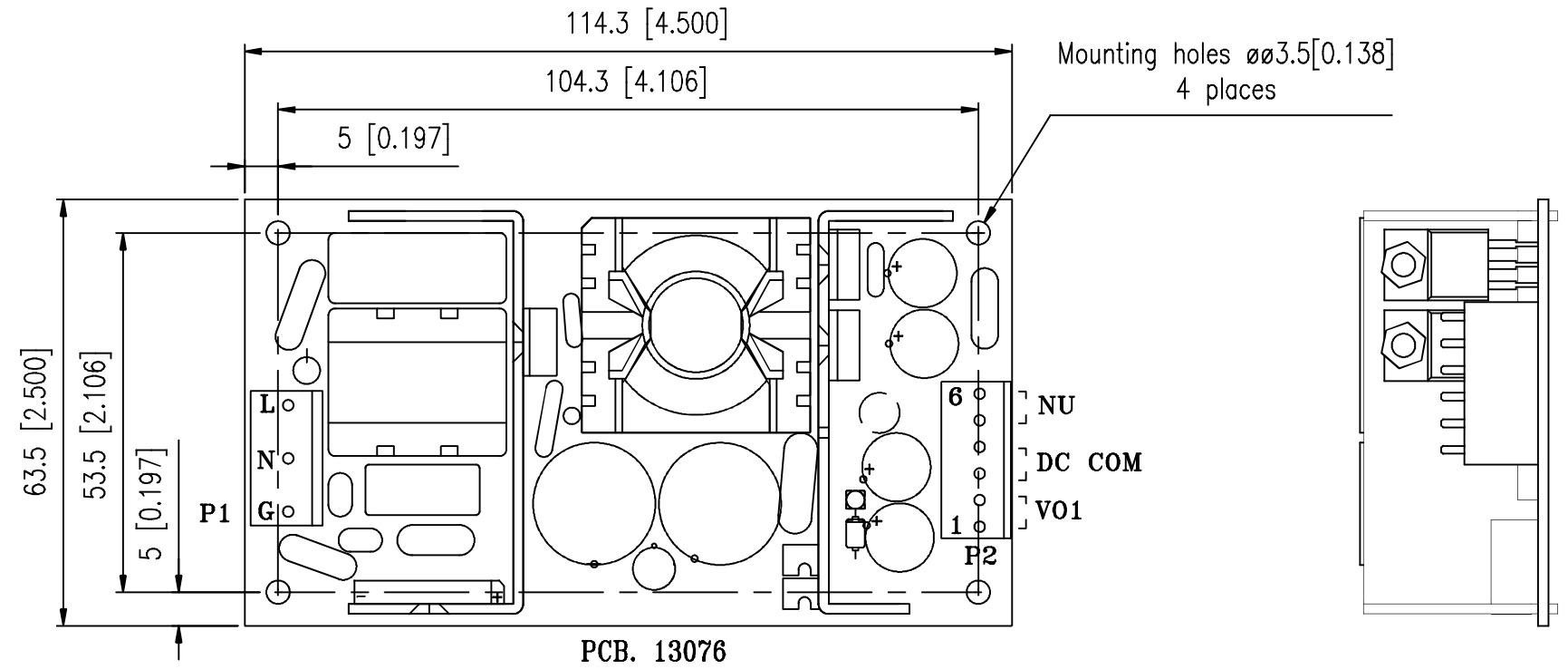
NOTES

- Specifications subject to change without notice.
- All dimensions in inches/mm
- Warranty: 2 years
- Weight: 0.4 lbs.(est.)

VOLTAGE/CURRENT RATING CHART

Part Number	Voltage	Minimum	Maximum
BPN-61-120	12V	0A	5.0A
BPN-61-240	24V	0A	2.5A
BPN-61-480	48V	0A	1.25A

300-1 Route 17 South Suite B2
Lodi, NJ 07644
Phone: (973) 594-1800 Fax: (973) 594-1804
salesteam@blutekpower.com



<i>BluTek Power</i>									
TITLE		PCB OUTLINE DRAWING							
DRAWN	H. L. LIN	DRG. NO.	BLU-612						
CHECKED		MODEL NO.	BPN-61-XXX						

UNIT	mm[inches]	REV. NO.	A	SCALE	1 : 1	MAT'L	t=
THIRD	\varnothing	∇		TOL.	± 0.5	DATE	09. 16. 2012



IN/OUTPUT RATING & PIN ASSIGNMENT

SIZE : A4	FM-4000-34/REV.A-080502'
UNIT : mm[inches]	FILENAME: PPSC0599
REV. NO.: A	DATE : 09. 17. 2012
DRAWN: 林 惠 蘭 H. L. LIN	CHECKED:

MODEL NO. : BPN-61-XXX

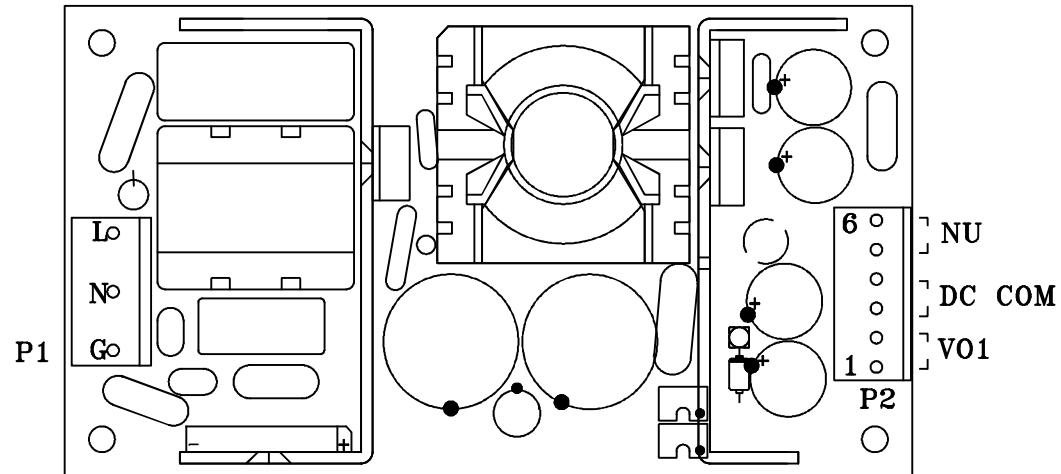
INPUTS :

ASSIGNMENT	A.C. VOLTAGE	CURRENT	PIN NBR
L:	100-240		1
N:			3
GND:		50-60Hz	5

OUTPUTS :

ASSIGNMENT	D.C. VOLTAGE	CURRENT	PIN NBR
V01:	See Volatge/Current Rating Chart		P2-1, 2
DC COM:			P2-3, 4
NC.:			P2-5, 6

MAXIMUM OUTPUT POWER: 61W



PCB. 13076