

Model: BSG36 Series



Total Power	36 Watts
Input Voltages	90-264 VAC
Outputs	Single

SPECIAL FEATURES

- Universal Input
- Green Power Design
- RoHS compliant
- EMI meets EN55011 FCC Class B
- UL, cUL and DEMKO Approvals
- CE compliant

ENVIRONMENTAL SPECIFICATIONS

Operating Temperature: 0 to +40°C with no derating

Power Density: 2.87 Watts/Cubic inch

Storage Temperature: -20° to +85°C

Temperature coefficient: ±0.04% / °C

Cooling: Free air convection

SAFETY APPROVALS

UL	60950
cUL	60950
DEMKO	EN60950

ELECTRICAL SPECIFICATIONS

Input Specifications

Input Range.....	90-264 VAC
Frequency.....	47-63 Hz
EMI filter.....	EN55011 FCC Class B
Input Connector.....	IEC320-3P AC Receptacle
Inrush Current.....	35A @ 230 VAC
Input Current.....	0.85A @ 90Vac
	0.30A @ 264Vac
Dielectric Withstand.....	Meet IEC950
Hold-up Time.....	15mS @ 115Vac
	60mS @ 230Vac
Efficiency.....	80%
Green Power.....	0.37W @ 132Vac
	0.50W @ 264Vac
Switching Frequency.....	60 KHz.
Leakage.....	<0.126mA

Output Specifications

DC Output.....	Maximum continuous output power 36 Watts.
Line Regulation.....	0.2%
Load Regulation.....	±3.0%
Ripple and Noise.....	1.0% Pk to Pk

300-1 Route 17 South Suite B2
 Lodi, NJ 07644
 Phone: (973) 594-1800 Fax: (973) 594-1804
salesteam@blutekpower.com

Model: BMG36 Series

ELECTRICAL SPECIFICATIONS (CONT')

Output Specifications

Transient Response..... Output voltage returns in less than 1mS following a 25% load change.

OVP..... Built-in, Zener diode clamping

Overload Protection (OLP)..... 125% to 150%

Short-circuit Protection

NOTES

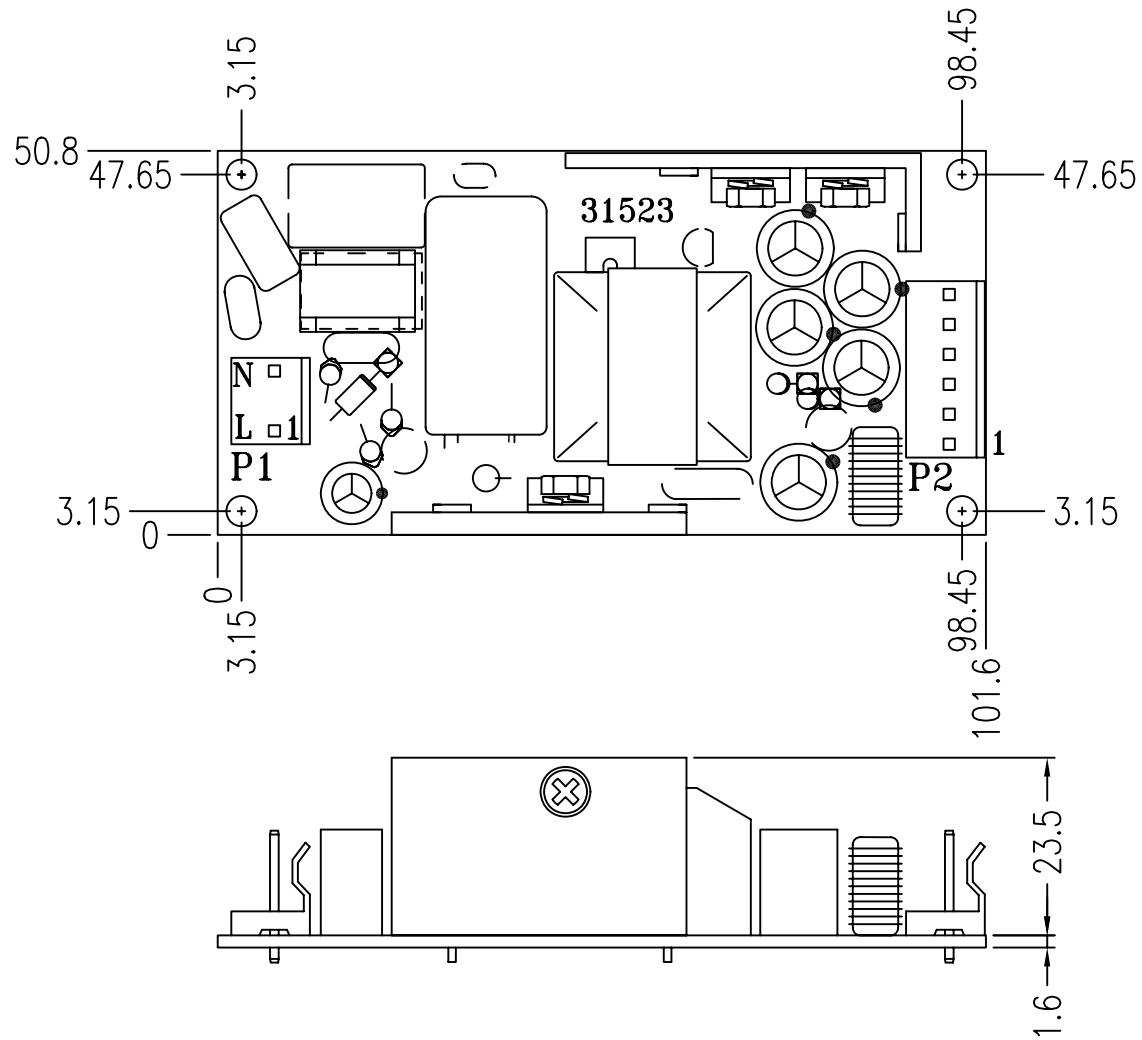
- Specifications subject to change without notice.
- All dimensions in inches/mm
- Warranty: 1 year
- Weight: 11.6Oz. (330g)

MODEL No. / OUTPUT VOLTAGE / CURRENT RATINGS CHART (Sample Chart, not all Models shown)

Model No.	O/P Voltage (Vdc)	Current
BMG36-120	12.0V	3.0A
BMG36-200	20.0V	1.8A
BMG36-240	24.0V	1.5A
BMG36-360	36.0V	1.0A
BMG36-480	48.0V	0.8A

*All voltages available between 12V and 48V in increments of .1V
Various input and output connectors available*

300-1 Route 17 South Suite B2
Lodi, NJ 07644
Phone: (973) 594-1800 Fax: (973) 594-1804
salesteam@blutekpower.com



<i>BluTek Power</i>			
TITLE		OUTLINE DRAWING	
DRAWN	L. J. HUN	DRG. NO.	BLU-232
CHECKED		MODEL NO.	BSG36 series

UNIT	mm[inches]	REV. NO.	A	SCALE	1 : 1	MAT'L	t=
THIRD				TOL.	± 0.2	DATE	06. 29. 2007



300-1 (B2) Route 17, Loch, NJ 07644

MODEL NO. : BSG36 Series

INPUTS :

<u>ASSIGNMENT</u>	<u>A.C. VOLTAGE</u>	<u>CURRENT</u>	<u>PIN NBR</u>
L:	100-240V~		P1-1
N:		50-60Hz	P1-3

OUTPUTS :

<u>ASSIGNMENT</u>	<u>D.C. VOLTAGE</u>	<u>CURRENT</u>	<u>PIN NBR</u>
V01:	See Voltage/Current Rating Chart		P2-1, 2
DC COM:			P2-3, 4
NA:			P2-5, 6

MAXIMUM OUTPUT POWER: 36W

SIZE : A4	FM-4000-34/REV.A-080502'
UNIT : mm[inches]	FILENAME: PPSC0475
REV. NO.: A	DATE : 06. 29. 2007
DRAWN: 洪麗珍 L. J. Hun	CHECKED:

IN/OUTPUT RATING & PIN ASSIGNMENT

